

# OLYMPUS®

Your Vision, Our Future

Biological Microscope

## CX21i

CX2 Series

**UIS2**  
World-leading optics



***Step up to  
Higher Performance  
with the Olympus  
UIS2 Infinity Optics***

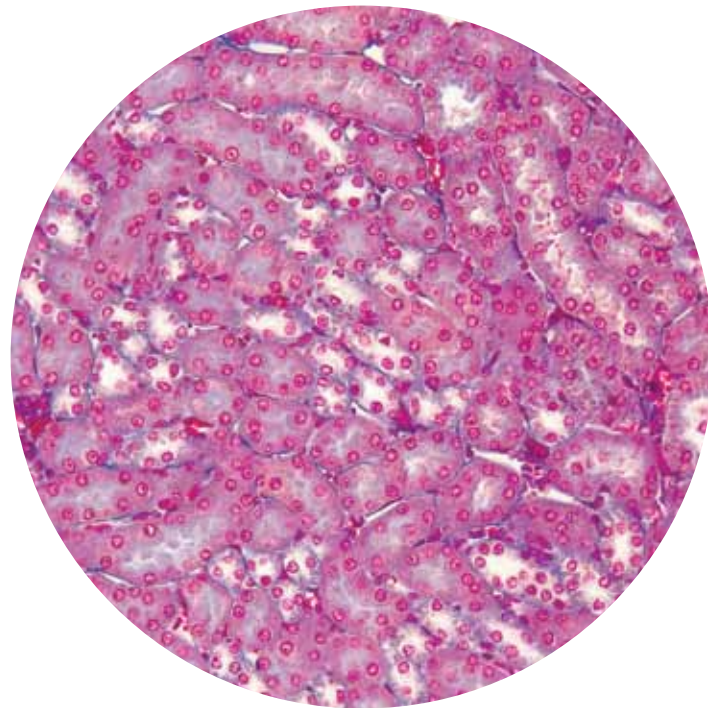
**The CX21i sets new standards for  
educational and laboratory applications**

# Superb image clarity coupled with Olympus' renowned reliability and rigidity

## Superior imaging

### Plan objectives are packaged as standard, providing image flatness that is among the best in this class

The CX21i is equipped with the same UIS2 optical system used in Olympus' top-level microscopes. In addition, Plan Achromat objectives are included as standard for the first time in this class of microscope, providing sharp images with high contrast right up to the edge of the field of view.



### Bright, uniform illumination

The CX21i's 6V20W high intensity halogen lamp delivers clear, stable illumination. The built-in aspheric collector lens provides images that are bright and uniformly illuminated over the entire field of view.

### Abbe condenser for optimized contrast

The optimal aperture stop position for each objective is clearly marked on the Abbe condenser, resulting in high-resolution, high-contrast images.



## Easy, safe operation

### Rackless stage for durability and ease of use

The wire-driven stage movement avoids any protrusion of racks — preventing the possibility of accidental damage or hand injury. Abrasion-resistant rackless design ensures continuous smooth movement.



### Component security — Student proof !

The eyepieces, objectives and condenser are all factory attached to the microscope body ensuring that no component is dropped or detached during transportation or regular use.



### Ultra-smooth, quadruple revolving nosepiece

High-precision machining ensures smooth operation and durability. Nosepiece includes a rubber ring for an easy ergonomic grip.

### Mechanical stage focus-lock prevents mishaps

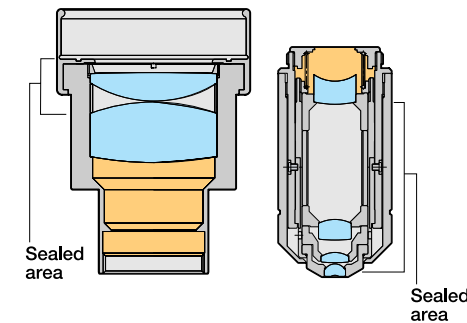
The focus position can be locked making it easy to refocus when the specimen is changed. With the upper stage position locked, there is no chance of the objective accidentally touching the slide and damaging either the specimen or the objective itself.



## Use in any environment

### Anti-fungus treatment for component durability

An effective anti-fungus treatment is applied to the objectives, eyepieces and observation tube for consistent image clarity and long operating life even in hot humid work conditions.



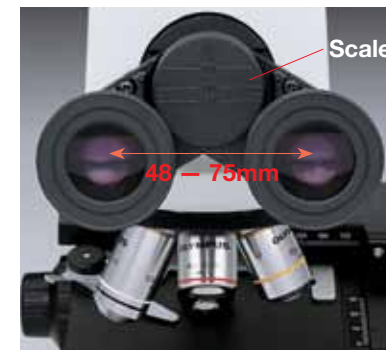
### Compact design, easy to store and carry

The CX21i is only 391 mm high, compact enough to be stored in a typical classroom cabinet.



### Individual choice of adjustment

Binocular observation tube is inclined 30 degrees allowing for an ergonomic, comfortable posture during observation. Eyepieces can be easily set for multiple users with a scaled interpupillary distance adjustment and diopter setting. High eyepoint design eyepieces with F.N. 20 can be used comfortably without removing eyeglasses.



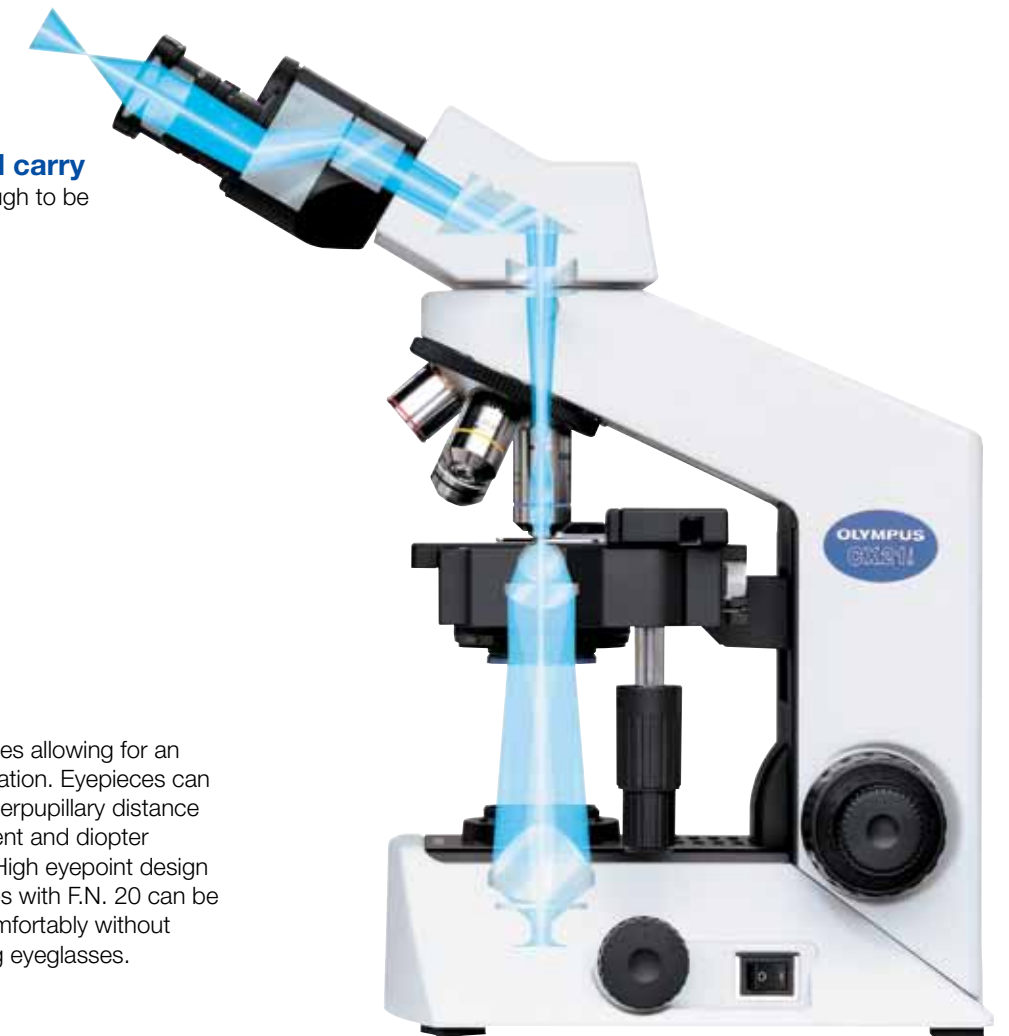
## Suitable for any user

### Tension adjustment for smoother focusing

The coaxial coarse/fine focusing knob is operable from either the left or right side. Coarse movement tension can be adjusted in accordance with personal preference.

### Ergonomic design for user convenience

The focusing knob, light control adjustment knob and stage handle are located close together, the user can work with hands on the desk and operate the CX21i with minimal movement.





## Specifications: CX21i Biological Microscope

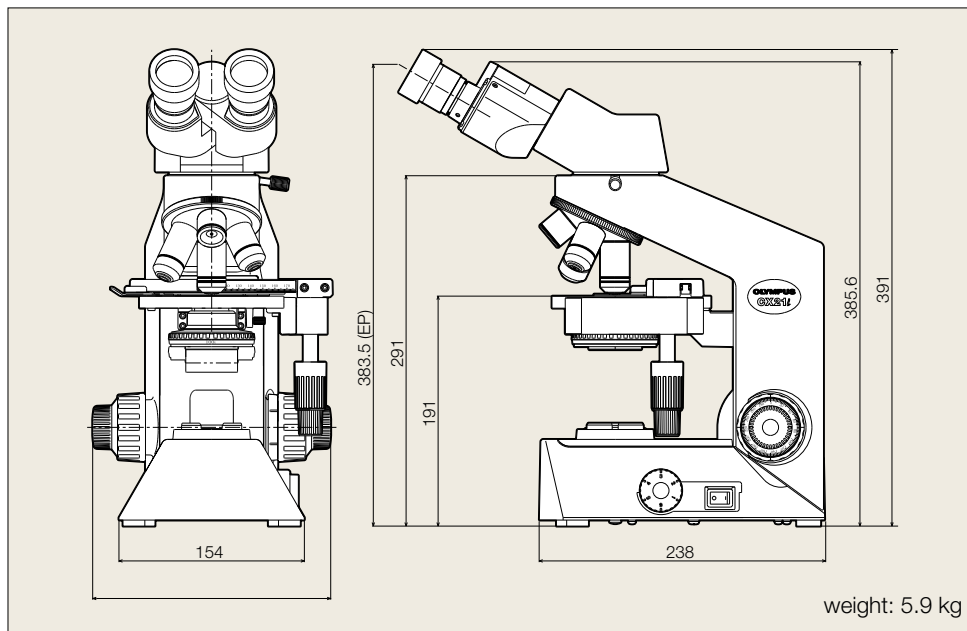
Microscope Frame	CX21 FS1
Optical system	UIS2 (Universal Infinity System) optical system
Illumination System	Built-in transmitted illumination system 6 V 20 W halogen bulb 100-240 V 50/60 Hz universal voltage
Focusing	Stage height movement (coarse movement stroke 20 mm) Fine focus graduation: 2.5 $\mu$ m
Revolving Nosepiece	Fixed quadruple nosepiece
Stage	Wire movement mechanical fixed stage: 120x132 mm Traveling range: 76 mm (X) x 30 mm (Y) Single specimen holder
Observation Tube	30° inclined binocular tube Interpupillary distance adjustment range 48–75 mm
Condenser	Abbe type with aperture iris diaphragm N.A.: 1.25
Objective	Plan Achromatic objectives (anti-fungus) 4x N.A.: 0.10 W.D.: 18.5 mm 10x N.A.: 0.25 W.D.: 10.6 mm 40x N.A.: 0.65 W.D.: 0.6 mm 100x N.A.: 1.25 W.D.: 0.13 mm (option)
Eyepiece (10x)	Field Number (F.N.): 20 (anti-fungus)
Optional Accessories	Mirror unit, 15x eyepiece (F.N. 12, anti-fungus), micrometer, filter holder, darkfield stop, Micro image projection system, Phase-contrast Attachment/10X, 40X, Simple Polarizing attachment

## Features:

- Ergonomic & compact design for user convenience
- UIS2 Plan infinity optics providing image flatness
- Seidentopf observation head for individual choice of adjustment
- Anti fungus treatment for component durability
- High eyepoint design eyepiece (F.N.20)
- High performance aspheric lenses in the abbe condenser & light relay system for bright & uniform illumination
- SMPS circuit for constant voltage output
- Rackless stage for durability and ease of use
- Mechanical stage focus-lock prevents mishaps
- Component security – Student proof

## Dimensions

(unit: mm)



- Over 200,000 highly satisfied CX21 customers world over
- CX21i is now exclusively for India at affordable cost

CX21i is the environmental conscious product according to OLYMPUS' own standards.

- Adoption of cardboard for packing materials without styrene foam for promoting the recycling.
- Lead-free and arsenic-free Eco-glass for optics, such as lenses and prisms.

• The CX21i meets CE standards for safety.

- Specifications and appearances are subject to change without any notice or obligation on the part of the manufacturer.

CX21i is manufactured under license from Olympus Corporation, Japan

**OLYMPUS**<sup>®</sup>

Sales & Service Center:

**The Science House**

4/5 Civil Lines,

Agra - 282002, India

Tel: +91-562-2523036, 4064593

Cell: +91-96346-40888

[www.BioZen.co.in](http://www.BioZen.co.in)

[info@biozen.co.in](mailto:info@biozen.co.in)

